

CROWN

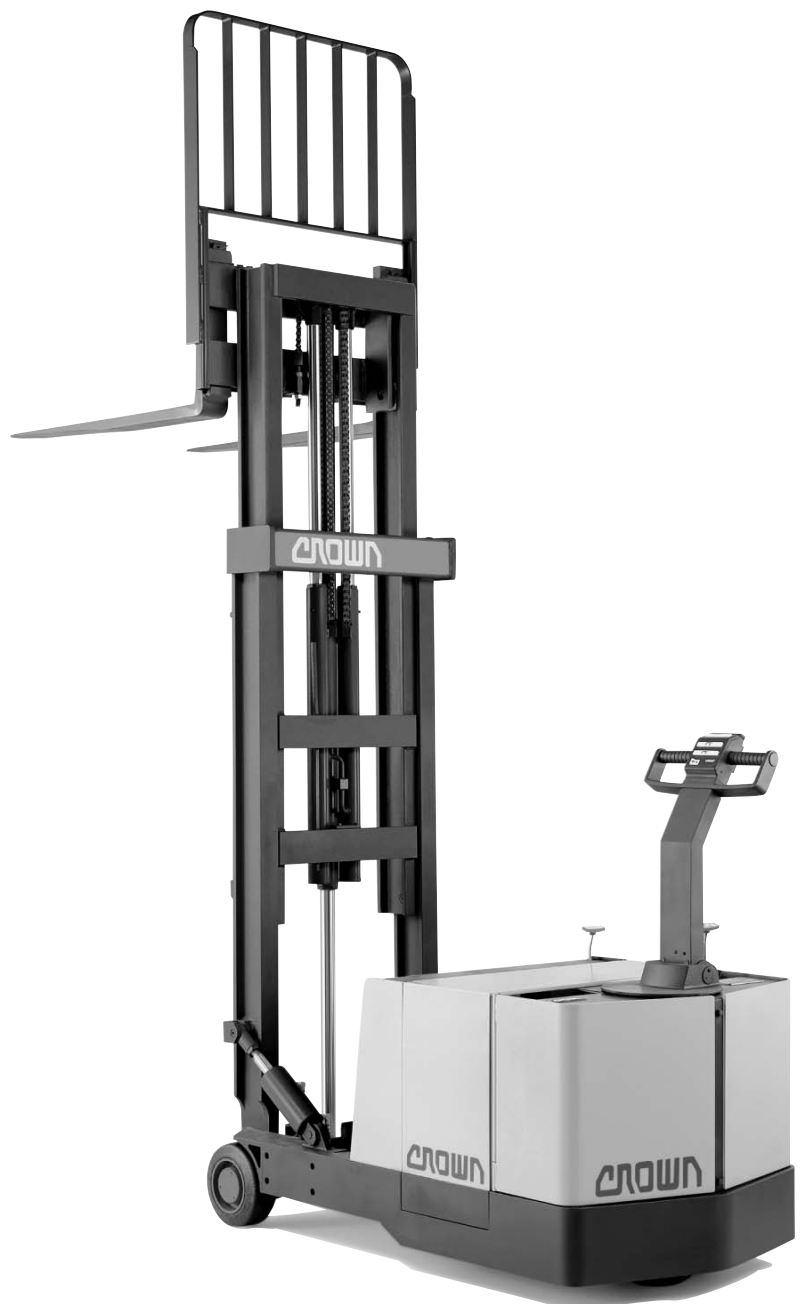
Specifications

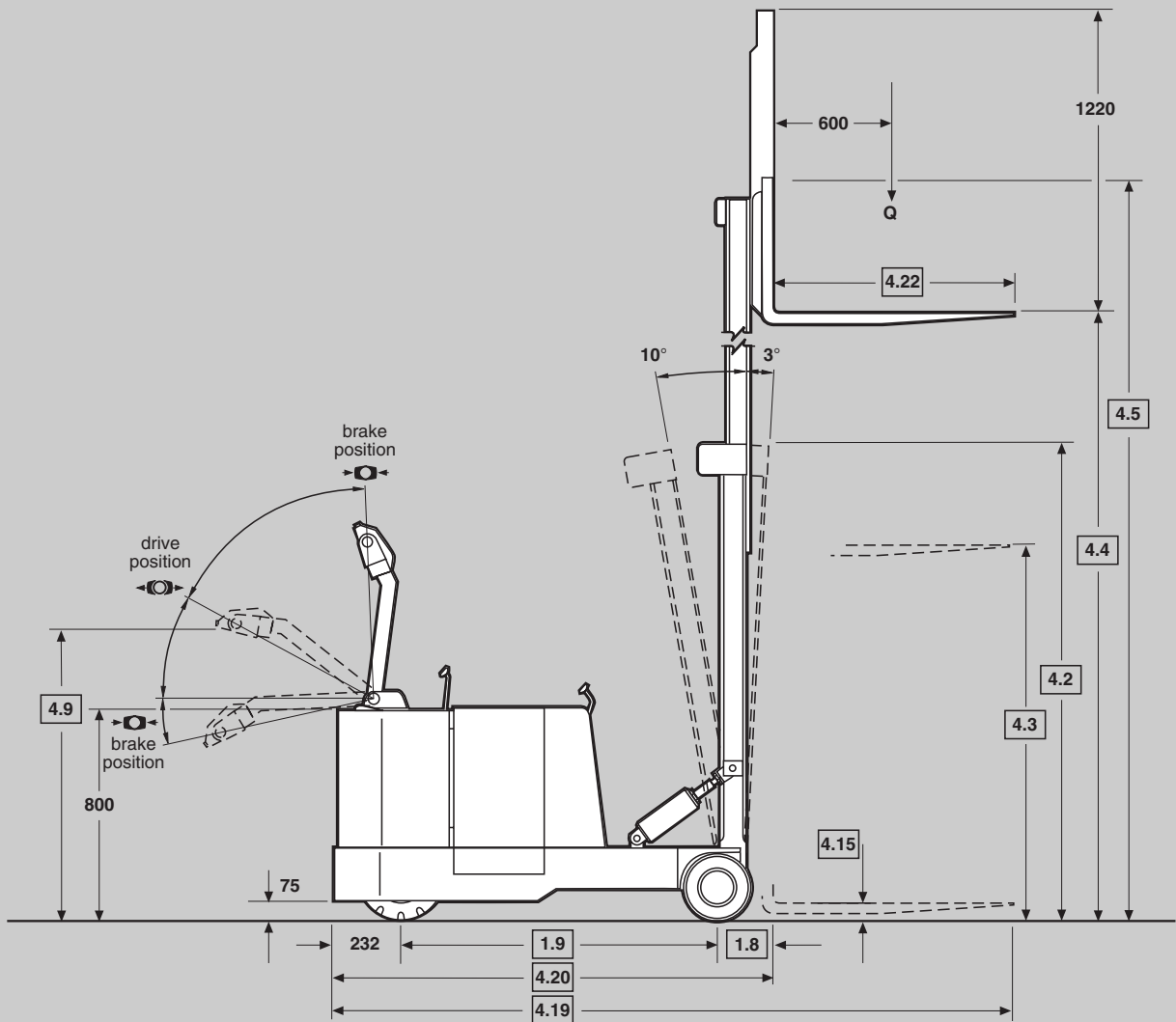
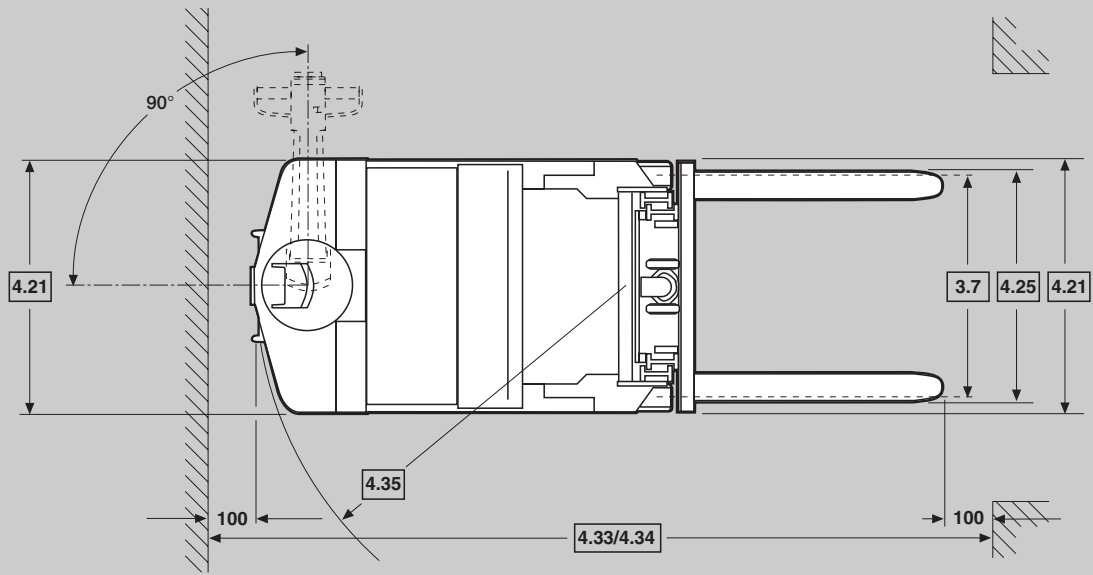
WB Series

Heavy Duty Pedestrian
Counterbalanced Stacke

WB

Series





WB Series

Counterbalanced Pedestrian Stacker

		Crown Equipment Corporation					
General Information	1.1	Manufacturer					
	1.2	Model			WB TL	WB TF	
	1.3	Prime Mover			electric	electric	
	1.4	Operator Type			walkie	walkie	
	1.5	Load Capacity	Q	t	0.9	0.9	
	1.6	Load Centre	c	mm	600	600	
	1.8	Load Distance	x	mm	213	213	
	1.9	Wheel Base	y	mm	1207	1207	
	2.1	Weight	less battery		kg	1530, 1565	1540, 1570
Tyres	3.1	Tyre Type			polyurethane	polyurethane	
	3.2	Wheel size	front		mm	Ø 330 x 114	Ø 330 x 114
	3.3	Wheel size	rear		mm	Ø 254 x 100	Ø 254 x 100
	3.5	Wheels	number (x = driven) front/rear			1 x / 2	1 x / 2
	3.6	Track Width	front	b10	mm	drive unit central	drive unit central
	3.7	Track Width	rear	b11	mm	815	815
	Dimensions	4.1	Mast Tilt	forward/backward		degree	3 / 10
4.2		Mast	collapsed height	h1	mm	1805, 2110	1805, 2110
4.3		Free Lift	w.o. load backrest	h2	mm	305	1300*, 1605*
4.4		Lift Height		h3	mm	2690, 3300	2690, 3300
4.5		Mast	extended height, w.o. load backrest*	h4	mm	3210, 3820	3210, 3820
4.9		Tiller Arm Height	in drive position min. / max.	h14	mm	825 / 1120	825 / 1120
4.15		Lowered Fork Height		h13	mm	65	65
4.19		Overall Length	at fork length: 1100 mm	l1	mm	2750	2750
4.20		Headlength		l2	mm	1650	1650
4.21		Overall Width	front / rear	b1/b2	mm	914 / 914	914 / 914
4.22		Fork Dimensions		thxwxl	mm	40 x 100 x 915/990/1065/1145/1220/1370/1525	
4.23		Fork Carriage	ISO class			2A	2A
4.24		Fork Carriage Width	incl. load backrest	b3	mm	910, 1065, 1220	910, 1065, 1220
4.25		Width Across Forks		b5	mm	200 - 838 (863 w.o. load backrest)	
4.31		Ground Clearance	with load below mast	m1	mm	75	75
4.32		Ground Clearance	centre wheelbase	m2	mm	125	125
4.33	Working Aisle Width	1000 x 1200 traverse	Ast	mm	2995	2995	
4.34	Working Aisle Width	800 x 1200 length	Ast	mm	3110	3110	
4.35	Turning Radius		Wa	mm	1440	1440	
Performance	5.1	Travel Speed	w./w.o. load		km/h	4 / 4.8	4 / 4.8
	5.2	Lift Speed	w./w.o. load		m/s	0.19 / 0.32	0.14 / 0.32
	5.3	Lower Speed	w./w.o. load		m/s	0.21 / 0.25	0.13 / 0.15
	5.7	Max. Gradeability	w. load		%	5	5
	5.10	Service Brake				mechanical	mechanical
Motors	6.1	Traction Motor	60 min rating		kW	1.0	1.0
	6.2	Lift Motor	15% on time		kW	3.3	3.3
	6.3	Max. Battery Box Size		lxwxh	mm	333 x 804 x 580	333 x 804 x 580
	6.4	Battery Voltage	nominal capacity 5h		V/Ah	24 / 525	24 / 525
	6.5	Battery Weight	min. / max.		kg	440 / 635	440 / 635
Misc.	8.1	Type of Controller	drive			resistor	resistor
	8.2	Available Working Pressure for Attachments			bar	82	82
	8.3	Available Oilflow for Attachments			l/min	15.5	15.5

*Subtract 730 mm from free lift, and add 730 mm to extended height.

WB Series

Counterbalanced Pedestrian Stacker

General Information	1.1	Manufacturer	Crown Equipment Corporation					
	1.2	Model			WB TL	WB TF	WB TT	
	1.3	Prime Mover			electric	electric	electric	
	1.4	Operator Type			walkie	walkie	walkie	
	1.5	Load Capacity		Q t	1.35	1.35	1.35	
	1.6	Load Centre		c mm	600	600	600	
	1.8	Load Distance		x mm	213	213	213	
	1.9	Wheel Base		y mm	1334	1334	1334	
	2.1	Weight	less battery		kg	1940, 1990	1950, 2000	2175
Tyres	3.1	Tyre Type			polyurethane	polyurethane	polyurethane	
	3.2	Wheel Size	front		mm	Ø 330 x 114	Ø 330 x 114	Ø 330 x 114
	3.3	Wheel Size	rear		mm	Ø 254 x 100	Ø 254 x 100	Ø 254 x 100
	3.5	Wheels	number (x = driven) front/rear			1 x / 2	1 x / 2	1 x / 2
	3.6	Track Width	front	b10	mm	drive unit central	drive unit central	drive unit central
	3.7	Track Width	rear	b11	mm	840	840	840
	Dimensions	4.1	Mast Tilt	forward/backward		degree	3 / 10	3 / 10
4.2		Mast	collapsed height	h1	mm	1805, 2110	1805, 2110	1805
4.3		Free Lift	w.o. load backrest	h2	mm	305	1300*, 1605*	1910*
4.4		Lift Height		h3	mm	2690, 3300	2690, 3300	3910
4.5		Mast	extended height, w.o. LBR*	h4	mm	3210, 3820	3210, 3820	4425
4.9		Tiller Arm Height	in drive position min./max.	h14	mm	825 / 1120	825 / 1120	825 / 1120
4.15		Lowered Fork Height		h13	mm	65	65	65
4.19		Overall Length	at fork length: 1100 mm	l1	mm	2880	2880	2880
4.20		Headlength		l2	mm	1780	1780	1780
4.21		Overall Width	front / rear	b1/b2	mm	914 / 940	914 / 940	914/940
4.22		Fork Dimensions		thxwxl	mm	40 x 100 x 915/990/1065/1145/1220/1370/1525		
4.23		Fork Carriage	ISO class			2A	2A	2A
4.24		Fork Carriage Width	incl. load backrest	b3	mm	910, 1065, 1220	910, 1065, 1220	910, 1065, 1220
4.25		Width Across Forks		b5	(mm)	200 - 838 (863 w/o load backrest)		
4.31		Ground Clearance	with load below mast	m1	mm	75	75	75
4.32		Ground Clearance	centre wheelbase	m2	mm	125	125	125
4.33		Working Aisle Width	1000 x 1200 traverse	Ast	(mm)	3225	3225	3225
4.34		Working Aisle Width	800 x 1200 length	Ast	(mm)	3340	3340	3340
4.35	Turning Radius		Wa	(mm)	1670	1670	1670	
Performance	5.1	Travel Speed	w./w.o. load		km/h	4 / 4.8	4 / 4.8	4 / 4.8
	5.2	Lift Speed	w./w.o. load		m/s	0.17 / 0.28	0.13 / 0.28	0.15 / 0.23
	5.3	Lower Speed	w./w.o. load		m/s	0.20 / 0.25	0.14 / 0.25	0.18 / 0.12
	5.7	Gradeability	w. load		%	5	5	5
	5.10	Service Brake				mechanical	mechanical	mechanical
Motors	6.1	Traction Motor	60 min rating		kW	1.0	1.0	1.0
	6.2	Lift Motor	15% on time		kW	3.3	3.3	3.3
	6.3	Max. Battery Box Size		lxwxh	mm	333 x 804 x 580	333 x 804 x 580	333 x 804 x 580
	6.4	Battery Voltage	nominal capacity 5h		V/Ah	24 / 525	24 / 525	24 / 525
	6.5	Battery Weight	min. / max.		kg	440 / 635	440 / 635	440 / 635
Misc.	8.1	Type of Controller	drive			resistor	resistor	resistor
	8.2	Available Working Pressure for Attachments			bar	103	103	103
	8.3	Available Oilflow for Attachments			l/min	13.2	13.2	13.2

*Subtract 730 mm from free lift, and add 730 mm to extended height.

WB Series

Counterbalanced Pedestrian Stacker

		Crown Equipment Corporation						
General Information	1.1	Manufacturer	Crown Equipment Corporation					
	1.2	Model			WB TL	WB TF	WB TT	
	1.3	Prime Mover			electric	electric	electric	
	1.4	Operator Type			walkie	walkie	walkie	
	1.5	Load Capacity	Q	t	1.8	1.8	1.8	
	1.6	Load Centre	c	mm	600	600	600	
	1.8	Load Distance	x	mm	225	225	225	
	1.9	Wheel Base	y	mm	1510	1510	1510	
	2.1	Weight	less battery		kg	2085, 2135	2135, 2190	2325
Tyres	3.1	Tyre Type			polyurethane	polyurethane	polyurethane	
	3.2	Wheel Size	front	mm	Ø 330 x 114	Ø 330 x 114	Ø 330 x 114	
	3.3	Wheel Size	rear	mm	Ø 254 x 125	Ø 254 x 125	Ø 254 x 125	
	3.5	Wheels	number (x = driven) front/rear		1 x / 2	1 x / 2	1 x / 2	
	3.6	Track Width	front	b10	mm	drive unit central	drive unit central	drive unit central
	3.7	Track Width	rear	b11	mm	865	865	865
	Dimensions	4.1	Mast Tilt	forward/backward	degree	3 / 10	3 / 10	3 / 10
4.2		Mast	collapsed height	h1	mm	1805, 2110	1805, 2110	1805
4.3		Free Lift	w.o. load backrest	h2	mm	285	1310*, 1615*	1920*
4.4		Lift Height		h3	mm	2690, 3300	2690, 3300	3910
4.5		Mast	extended height, w.o. LBR*	h4	mm	3210, 3820	3210, 3820	4425
4.9		Tiller Arm Height	in drive position min. / max.	h14	mm	825 / 1120	825 / 1120	825 / 1120
4.15		Lowered Fork Height		h13	mm	75	75	75
4.19		Overall Length	at fork length: 1100 mm	l1	mm	3070	3070	3070
4.20		Headlength		l2	mm	1970	1970	1970
4.21		Overall Width	front / rear	b1/b2	mm	914 / 990	914 / 990	914 / 990
4.22		Fork Dimensions		thxwxl	mm	50 x 100 x 915 / 990 / 1065 / 1145 / 1220 / 1370 / 1525		
4.23		Fork Carriage	ISO class			2A	2A	2A
4.24		Fork Carriage Width	incl. load backrest	b3	mm	910, 1065, 1220	910, 1065, 1220	910, 1065, 1220
4.25		Width Across Forks		b5	mm	200 ÷ 838 (863 w/o load backrest)		
4.31		Ground Clearance	with load below mast	m1	mm	75	75	75
4.32		Ground Clearance	centre wheelbase	m2	mm	125	125	125
4.33		Working Aisle Width	1000 x 1200 traverse	Ast	mm	3310	3310	3310
4.34		Working Aisle Width	800 x 1200 length	Ast	mm	3425	3425	3425
4.35		Turning Radius		Wa	mm	1745	1745	1745
Performance		5.1	Travel Speed	w./w.o. load		km/h	4 / 4.8	4 / 4.8
	5.2	Lift Speed	w./w.o. load		m/s	0.13 / 0.22	0.12 / 0.22	0.11 / 0.22
	5.3	Lower Speed	w./w.o. load		m/s	0.13 / 0.10	0.11 / 0.10	0.13 / 0.10
	5.7	Gradeability	w. load		%	5	5	5
	5.10	Service Brake				mechanical	mechanical	mechanical
Motors	6.1	Traction Motor	60 min rating		kW	1.0	1.0	1.0
	6.2	Lift Motor	15% on time		kW	3.3	3.3	3.3
	6.3	Max. Battery Box Size		lxwxh	mm	333 x 804 x 580	333 x 804 x 580	333 x 804 x 580
	6.4	Battery Voltage	nominal capacity 5h		V/Ah	24 / 525	24 / 525	24 / 525
	6.5	Battery Weight	min. / max.		kg	440 / 635	440 / 635	440 / 635
Misc.	8.1	Type of Controller				resistor	resistor	resistor
	8.2	Available Working Speed Pressure for Attachments			bar	124	124	124
	8.3	Available Oilflow for Attachments			l/min	11.7	11.7	11.7

*Subtract 730 mm from free lift, and add 730 mm to extended height.

Standard Equipment

1. Three speeds forward and reverse.
2. Battery compartment rollers.
3. Emergency power disconnect.
4. Key switch.
5. Horn.
6. Polyurethane load wheels.
7. Polyurethane drive tyre.
8. Third speed cutoff switch.
9. SBE battery connector.
10. Reversing button.
11. Load backrest
12. Carriage tilt.

Optional Equipment

1. SCR speed control.
2. Rubber tyre
Ø 340 mm x 140 mm.
3. Battery discharge indicator.
4. Battery discharge indicator with lift lockout.
5. Hour metre.
6. Optional lift heights.
7. Corrosion conditioning.
8. Freezer conditioning.
9. Raise and lower buttons in control handle.

Electrical System

Standard equipment includes:

1. 24 volt electrical system.
2. Series wound high torque 1.0 kW drive motor.
3. Series wound high torque 3.3 kW lift motor.
4. Heavy duty pump contactor with replaceable tips.
5. Four heavy duty travel speed contactors. A solid-state time relay provides controlled acceleration between 2nd and 3rd speed.
6. Fused control and power circuits.
7. Colour coded wiring for ease of service.
8. Key switch.
9. Power disconnect lever.

Hydraulic System

Standard equipment includes:

1. Heavy duty motor and gear pump assembled as an integral unit.
2. Spool-type hydraulic control valve with built-in check and relief valve for efficient overload protection of lift and tilt circuits.
3. Pressure compensating flow control valve at base of lift cylinder regulates maximum lowering speed.
4. Lift cylinder diameters vary, and are designed to maintain optimum hydraulic pressure depending on capacity of truck. All WBTF and WBTT models are equipped with a three cylinder cluster to provide full free lift.
5. A conveniently located raise/lower lever is standard equipment. This throttle permits infinite control. Push button raise/lower controls can be installed in control handle as optional equipment.
6. Fixed flow control at side of tilt cylinder regulates maximum tilt speed.
7. Two double acting piston-type tilt cylinders.
8. A conveniently located lever for forward or backward tilt activation is standard. This throttle permits infinite control of tilt function.

Drive Unit

Gear drive from motor to drive wheel axle. The gear train is mounted on ball and tapered roller bearings, and operates in an oil-filled, sealed housing.

Brake

Internal expanding mechanical brake with Ø 127 mm drum and bonded brake linings. Brake is applied when control handle is within 15° of full vertical or full horizontal position.

Power Unit Structure

Access panel permits easy entry to all electric and hydraulic components.

Lift Structure

Outer and inner masts constructed of hot rolled carbon steel I-beam. Telescoping mast section nests in main upright to provide better visibility for operator.

Carriage Rollers

Alloy steel rollers contoured to fit mast are equipped with sealed ball bearings.

Control Handle

Control handle has dual twist-grips which control three speeds forward and reverse. Twist-grips return to neutral when released. The handle contains a large safety button which reverses the direction of the truck should the button touch the operator. A large horn button is standard equipment, as is a third speed cutoff switch.

Safety Switches

1. Third speed switch in control handle may be used to shut off high speed when operating in congested areas.
2. Limit switch automatically reduces maximum travel speed immediately upon extension of second and third stages on WBTF and WBTT models, and when forks extend above 1725 mm on WBTL models.
3. Reversing button on control handle reverses direction of travel when actuated by the operator.

Safety Regulations

Conforms to European safety standards.

Dimensions and performance data given may vary due to manufacturing tolerances. Performance is based on an average size vehicle and is affected by weight, condition of truck, how it is equipped and the conditions of the operating area. Crown products and specifications are subject to change without notice.