

CROWN

Specifications

GPC 3000 Series

Low Level Order Picker

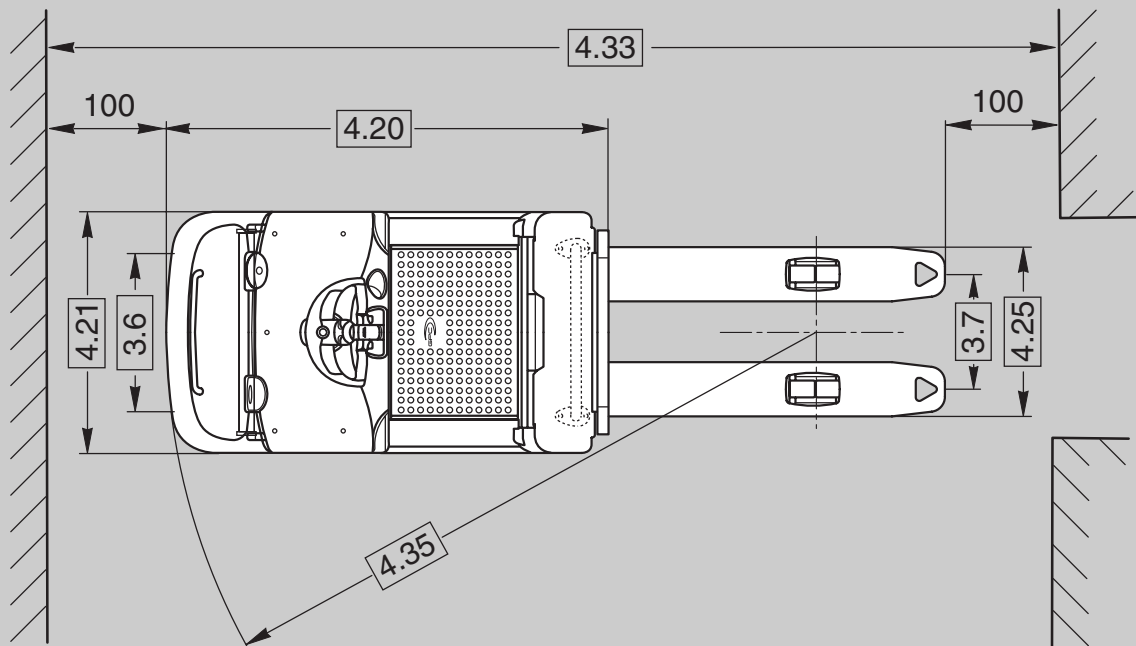
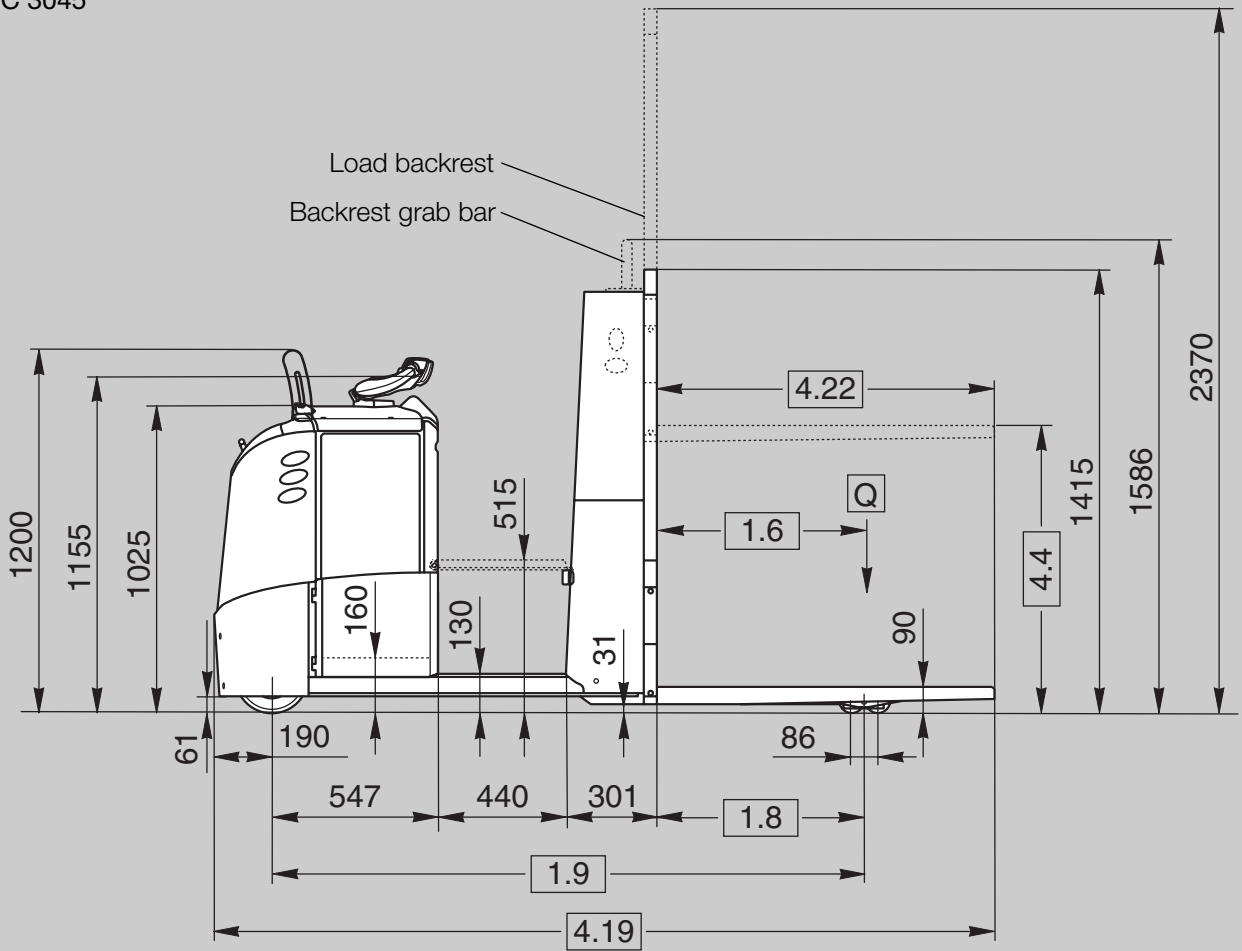
GPC 3000

Lifting Fork

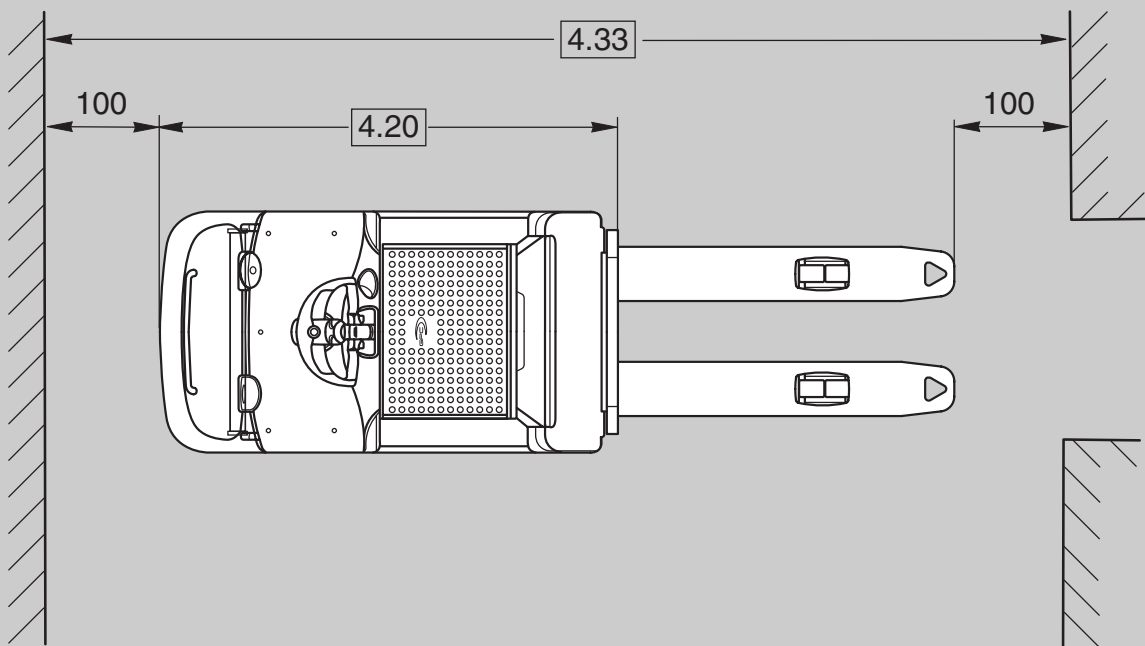
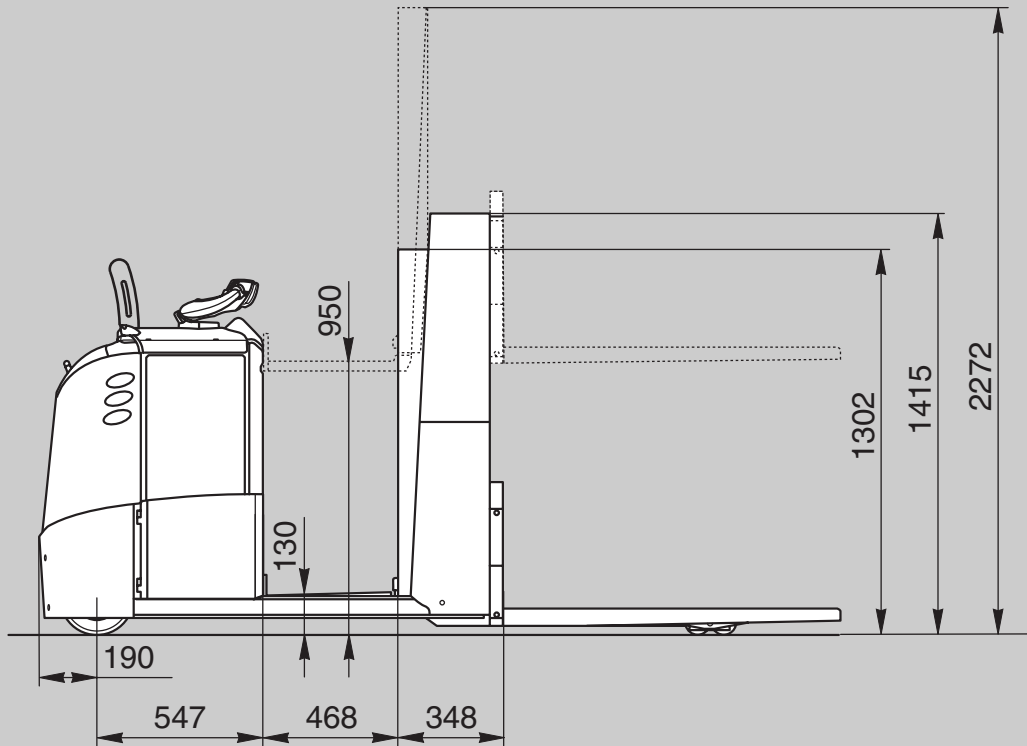
Series



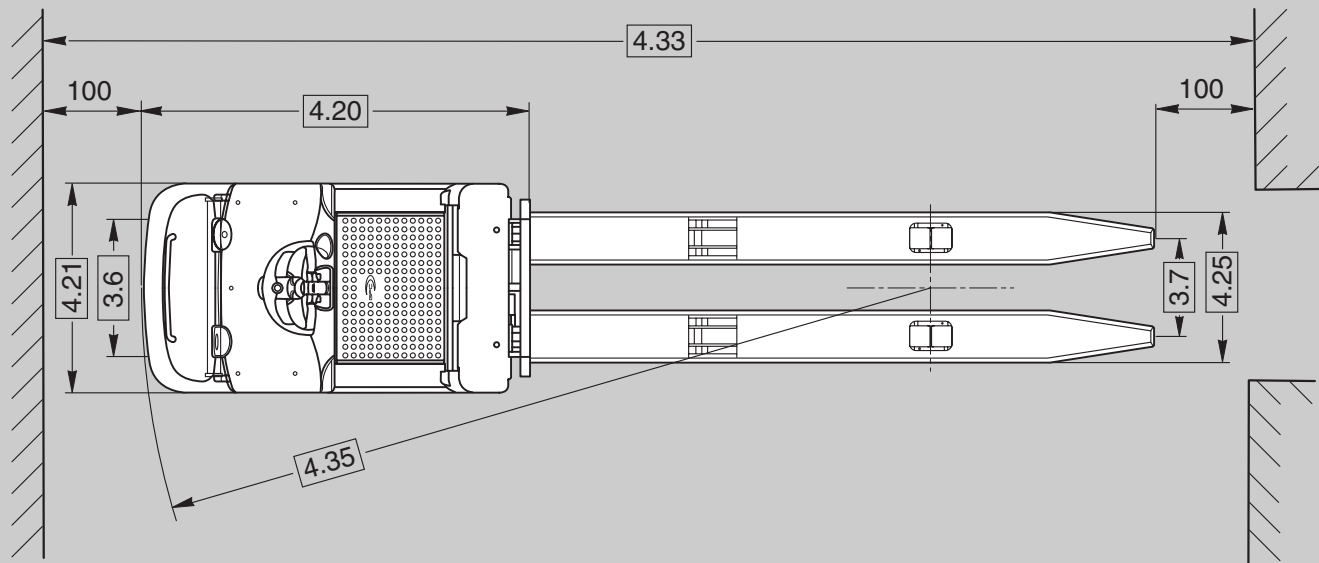
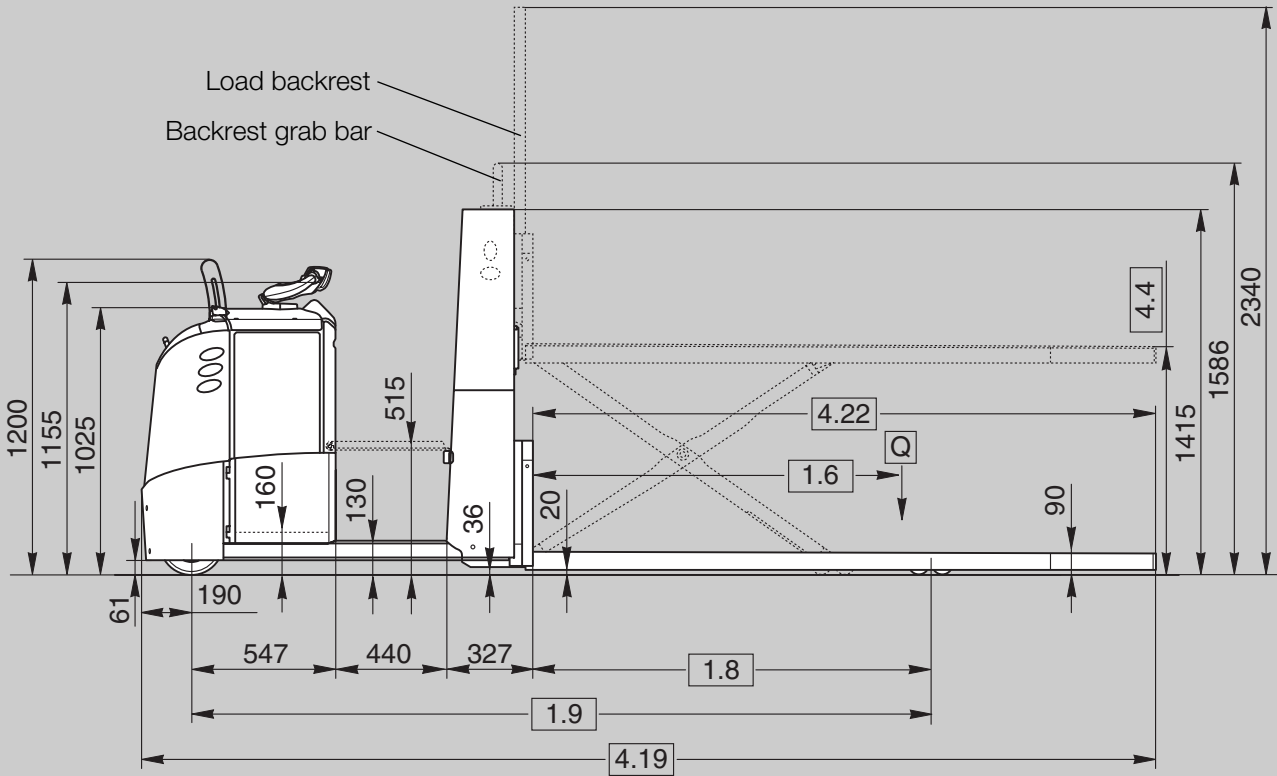
GPC 3045



GPC 3045 with optional platform lift



GPC 3055



GPC 3000 Series

Specifications

General Information	1.1	Manufacturer			Crown Equipment Corporation			
	1.2	Model			GPC 3045-1.2	GPC 3055-2.0		
	1.3	Power			electric			
	1.4	Operator Type			order picker			
	1.5	Load Capacity		Q	t	1.2***	2.0	
	1.6	Load Centre		c	mm	600	750	1200
	1.8	Load Distance	lowered	x	mm	693	993	1525*
	1.9	Wheel Base	lowered	y	mm	1980**	2280**	2840*
Weights	2.1	Weight	less battery		kg	930	955	1250
	2.2	Axle Load	w. load. front / rear		kg	1070 / 1640		1450 / 2305
	2.3	Axle Load	w.o. load. front / rear		kg	1025 / 490		1220 / 535
Tyres	3.1	Tyre Type				Vulkollan		
	3.2	Wheel Size	front		mm	Ø 250 x 75		
	3.3	Wheel Size	rear		mm	Ø 82 x 82		
	3.4	Additional Wheels	castor wheel		mm	Ø 150 x 60		
	3.5	Wheels	number (x=driven) front/rear			1x + 1 / 4		
	3.6	Track Width	front	b10	mm	492		
	3.7	Track Width	rear	b11	mm	340 / 390		380
Dimensions	4.4	Lift Height		h3	mm	960		850
	4.8	Operator Stand Height		h7	mm	130		
	4.9	Control Handle Height		h14	mm	1155		
	4.15	Fork Height	lowered	h13	mm	90		
	4.19	Overall Length		l1	mm	2628**	2928**	3904
	4.20	Headlength		l2	mm	1478**	1478**	1504
	4.21	Overall Width		b1	mm	810		
	4.22	Fork Dimension	standard	thxwxl	mm	78 x 180 x 1150	78 x 180 x 1450	78 x 190 x 2400
	4.25	Width Across Forks		b5	mm	520 / 570		570
	4.31	Ground Clearance	below mast	m1	mm	31		36
	4.32	Ground Clearance	centre wheelbase	m2	mm	61		61
	4.33	Working Aisle Width		Ast	mm	2977**	3277**	4192*
4.35	Turning Radius	lowered	Wa	mm	2170**	2470**	3030*	
Performance	5.1	Travel Speed	w. / w.o. load		km/h	9.5 / 12.5		8.5 / 12.5
	5.2	Lift Speed	w. / w.o. load		m/s	0.10 / 0.16		0.08 / 0.11
	5.3	Lowering Speed	w. / w.o. load		m/s	0.12 / 0.12		0.10 / 0.13
	5.7	Gradability	w. / w.o. load 30 min. rating		%	5 / 9		8 / 11
	5.8	Max. Gradability	w. / w.o. load 5 min. rating		%	9 / 15		8 / 15
	5.10	Service Brake				electric		
Motors	6.1	Traction Motor	rating at S2 60 min.		kW	2.5		
	6.2	Lift Motor	rating at S3 15%		kW	2.2		
	6.3	Max. Battery Box Size		lxwxh	mm	330 x 790 x 784		
	6.4	Battery Voltage	nominal capacity K5		V/Ah	24 / 560, 620 Ah		
	6.5	Battery Weight			kg	489, 509		
	6.6	Energy Consumption	acc. to VDI cycle		kWh/h	0.69		0.80
Misc.	8.1	Type Controller	drive			transistor		

* Forks raised -220 mm

** Optional platform lift +75 mm

*** At 1450 mm fork length the capacity = 1.0 t

Capacity

GPC 3045 - 1200 kg
 GPC 3055 - 2000 kg

Electric System / Batteries

24-volt electrical system with nominal battery capacities up to 620 Ah.

The battery can be removed vertically or horizontally with optional battery rollers on left/right or both sides.

Standard Equipment

1. Maintenance free 3-phase (AC) traction and steering motors
2. e-Gen™ Braking System offers regenerative and frictionless electric braking (Mechanical braking applies only as parking brake)
3. Electronic steering with the centre mounted X10® Handle for precise and effortless control
4. The self centering X10® Control Handle places all truck functions at the operator's fingertips
5. Crown Access 1 2 3™ Comprehensive System Control
6. Intelligent Steering System slows the travel speed in curves
7. Load-dependent speed
8. Crown's Information Display
 - 1 line LCD display with 8 characters
 - Battery discharge indicator
 - Keyless start up with PIN code
 - Start up and run time diagnostics
 - 3 selectable traction performance profiles
 - Hour meters including traction motor, hydraulic motor and run time
 - Access 1 2 3 onboard diagnostic with real time troubleshooting capabilities
9. CAN-Bus technology
10. Ramp hold
11. Low step height of 130 mm with a wide walk through area
12. Suspended floorboard with a non-slip anti-fatigue floor mat with integrated presence sensors
13. Electric power disconnect plug
14. Large storage compartments
 - Large front storage tray
 - Large storage compartment in the backrest

15. Vulkollan drive tyre, castor wheel and tandem load wheels
16. Lean pad with cushioned soft kneepad
17. Battery connector DIN 160 A
18. Heavy duty fork assembly
19. Front Work Assist™ accessory tube
20. Heavy duty power unit
 - 10 mm thick steel skirt
 - Easily removable reinforced steel covers
 - Top battery access
21. Battery compartment for 560 - 620 Ah batteries

Optional Equipment

1. Fold-down step (not available with lifting platform)
2. Backrest grab bar (standard if fold-down step is ordered, not available with lifting platform)
3. Lifting platform with an operator stand height of 950 mm (3045)
4. Picking guard
5. Single load wheels (3055)
6. Pick Position Controls™ in the backrest
7. Fork lift/lower switches in backrest
8. Desktop work surface
9. Battery roll out for left / right or both sides
10. SBE 160 red battery connector
11. Power supply 12V for electronic tools
12. Key switch
13. Cold storage conditioning
14. Load backrest 1400 mm
15. Audible travel alarm
16. Flashing beacon
17. Special paint
18. Rubber bumper
19. Work Assist™ Accessories
 - Load tray
 - Foil roll holders
 - Storage pockets
 - Beverage holder
 - Trash bag holder
 - Scan gun holder
 - Small, medium and large clip boards
 - Mounting brackets for WMS terminals
20. Key pad

Electrical

24 volt electrical system managed by Crown's Access 1 2 3 Comprehensive System Control. Virtually maintenance-free AC traction motor provides strong acceleration and control at any speed. Sensors monitor functional parameters including load, steering, speed and operator position and adjusts operational settings automatically to suit conditions.

Power Unit

The rugged power unit is designed for tough real-world applications. A 10 mm thick skirt protects drive unit and caster components while reinforced steel covers and doors cover all electronics. The uncluttered layout of components provides quick and easy access for servicing.

Operator Area and Controls

Soft and fully suspended floorboard reduces operator fatigue. Wide walk-through compartment with rounded surfaces provides a convenient shortcut even while carrying boxes. Lean pad provides a soft contact surface to lean against.

All truck functions are controlled by the award-winning X10 control handle that allows simultaneous operation of all functions with one hand. Electronic steering is standard on all models, providing precise, predictable control. A large information display provides battery discharge level, operational status and service messages to the operator.

Access 1 2 3™ Comprehensive System Control

Crown's Access 1 2 3 technology provides optimum performance and control by offering a communications interface for the operator and service engineer, intelligent coordination of lift truck systems and simplified service with advanced diagnostics.

The display includes a full featured on-board service tool so service engineers can actively view inputs and outputs during truck operation. No laptop or service terminal is required. Performance tuning can be accessed at the display to customise truck performance for specific applications or operator requirements.

e-GEN™ Braking System

The power of the high-torque AC traction motor is used to stop the truck and keep it static until a travel input is requested, even when operating on a gradient. This system eliminates adjustments and wear points for a lifetime of maintenance free use. An automatic parking brake activates if the truck is stopped and the operator leaves the platform or power is disconnected.

Work Assist™ Accessories

A comprehensive range of Work Assist accessories are available to support every kind of picking and administrative task. These rugged tools can be easily combined and positioned in the location best suited to the application and the user. Customer accessories can also be added using the universal clamp and adapter plate.

Safety Regulations

Conforms to European safety standards. Dimensions and performance data given may vary due to manufacturing tolerances. Performance is based on an average size vehicle and is affected by weight, condition of truck, how it is equipped and the conditions of the operating area. Crown products and specifications are subject to change without notice.

